

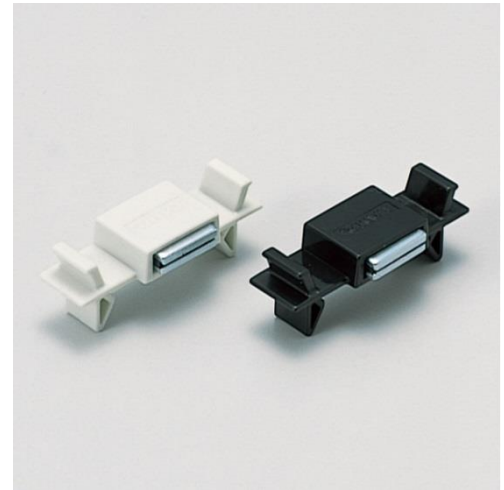
GMC-YSW Snap In Magnetic Catch

Features

- Snap-in magnetic catch for sheet metal applications
- Thin magnetic catch of 6 mm high ideal for tight spaces
- Small body with strong magnetic force (neodymium magnet): **GMC-YSW02**
- Lower magnetic force (ferrite magnet) also available: **GMC-YSW01**

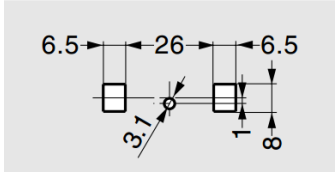
Notes

- Max temperature for neodymium magnet: 80°C
- For 1 mm and 2 mm door, to use spacer **GYS-P05** (not needed for 1.6 mm and 2.6 mm door)
- Spacer **GYS-P05** is sold separately

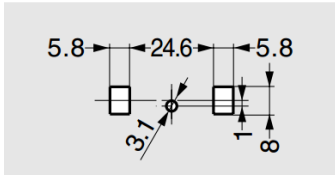


Cut Out Dimensions

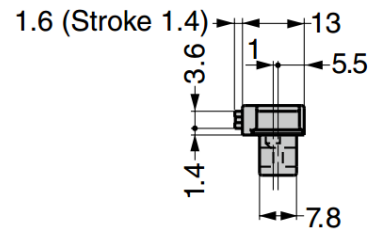
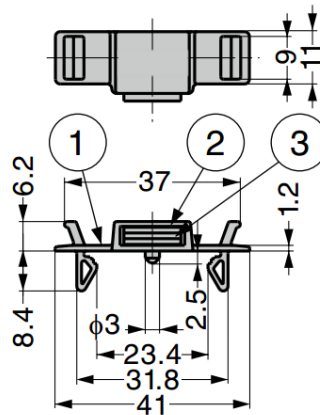
- For 1 mm door (spacer **GYS-P05** required)
- For 1.6 mm door (no spacer required)



- For 2 mm door (spacer **GYS-P05** required)
- For 2.6 mm door (no spacer required)

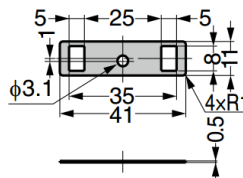


No.	Part Name	Material		Finish / Colour	
		GMC-YSW01	GMC-YSW02	GMC-YSW01	GMC-YSW02
①	Body	POM		White, Black	
②	Yoke	Steel (SPCC)		Clear Zinc Chromate	Coloured Zinc Chromate (Trivalent)
③	Magnet	Ferrite	Neodymium	Plain	Nickel



Part No.	Colour	Magnet	Magnetic Force	
GMC-YSW01W	White	Ferrite	12 N	1.2 kg
GMC-YSW01B	Black			
GMC-YSW02W	White	Neodymium	29 N	3 kg
GMC-YSW02B	Black			

Spacer (Sold Separately)



Part No.	Material	Colour
GYS-P05	PP	Natural